

## NISSAN INTELLIGENT MOBILITY™

Nissan Intelligent Mobility guides everything we do. We're using new technologies to transform cars from mere driving machines into assistants. Together the journey is more confident, connected, and exciting. Whether it's cars that assist with the driving task, or highways that charge your EV as you go along, it's all in the very near future. And it's a future already taking shape in the Nissan you drive today.

### SEE TITAN® COME TO LIFE

Go to [NissanUSA.com](http://NissanUSA.com) and find an interactive brochure for TITAN®, TITAN XD® and every Nissan in the lineup. Available on desktop or smartphone, it's the full product story - including demos, videos, and complete info on trims, colors, and accessories.

Or download the Interactive Brochure Hub app on your tablet. Free on the App Store® and Google Play.™



Innovation  
that excites

2018  
TITAN®  
TITAN XD®




[NissanUSA.com/connect/important-information](http://NissanUSA.com/connect/important-information). <sup>15</sup>Zero Gravity seats for outboard passengers only. <sup>16</sup>State and local laws, regulations or ordinances may apply based on the location of the vehicle. <sup>17</sup>BSW is not a substitute for proper lane change procedures. The system will not prevent contact with other vehicles or accidents. It may not detect every vehicle or object around you. <sup>18</sup>Not a substitute for proper backing procedures. May not detect all moving vehicles. Speed and other limitations apply. See Owner's Manual for details. <sup>19</sup>Driving is serious business and requires your full attention. If you have to use the connected device while driving, exercise extreme caution at all times so full attention may be given to vehicle operation. External device not included. <sup>20</sup>Extra cost option. <sup>21</sup>King Cab® and Crew Cab only. <sup>22</sup>TITAN® SV Crew Cab only. <sup>23</sup>Two-tone paint is standard. <sup>24</sup>Two-tone paint is standard. Monotone paint is available, and requires Monotone paint package. <sup>25</sup>PRO-4X® requires Monotone paint package. <sup>26</sup>Use the Text Messaging feature after stopping your vehicle in a safe location. If you have to use the feature while driving, exercise extreme caution at all times so full attention may be given to vehicle operation. Compatible smartphone required. Text rates and/or data usage may apply. <sup>27</sup>Parking aid/convenience feature. Cannot completely eliminate blind spots. May not detect every object and does not warn of moving objects. Always check surroundings and turn to look behind you before moving vehicle. <sup>28</sup>VDC, which should remain on when driving except when freeing the vehicle from mud or snow, cannot prevent accidents due to abrupt steering, carelessness, or dangerous driving techniques. <sup>29</sup>Never program while driving. GPS mapping may not be detailed in all areas or reflect current road status. <sup>30</sup>TITAN®/TITAN XD® King Cab Seat Delete package component deletion is dependent on how the truck is equipped. See your Nissan dealer for complete details. <sup>31</sup>Genuine Nissan Accessories are covered by Nissan's Limited Warranty on Genuine Nissan Replacement Parts, Genuine NISMO® S-Tune Parts, and Genuine Nissan Accessories for the longer of 12 months/12,000 miles (whichever occurs first) or the remaining period under the 5-year/100,000-mile (whichever occurs first) Nissan New Vehicle Limited Warranty. Terms and conditions apply. See Warranty Information Booklet for details. <sup>32</sup>Affiliated product. <sup>33</sup>Non-XD TITAN® SL only. <sup>34</sup>SL only. <sup>35</sup>Brake Assist is only an aid to assist the driver and is not a collision warning or avoidance device. It is the driver's responsibility to be in control of the vehicle at all times. <sup>36</sup>Excludes King Cab® with Seat Delete Package. <sup>37</sup>Air bags are only a supplemental restraint system; always wear your seat belt. Even with the occupant-classification sensor, rear-facing child restraints should not be placed in the front-passenger's seat. All children 12 and under should ride in the rear seat properly secured in child restraints, booster seats, or seat belts according to their size. Air bags will only inflate in certain accidents; see your Owner's Manual for more details. <sup>38</sup>Vehicle must be on for the Easy-Fill Tire Alert to operate. Aisin® is a registered trademark of Aisin Seiki Kabushiki Corporation. The App Store® is a registered trademark of Apple, Inc. Bilstein® is a registered trademark of ThyssenKrupp Bilstein GmbH. Bluetooth® word mark and logos are owned by Bluetooth SIG, Inc., and any use of such marks by Nissan is under license. Bosch® is a registered trademark of Robert Bosch GmbH Corporation. Cummins® is a registered trademark of Cummins Inc. Facebook® is a registered trademark of Facebook, Inc. Google Play™ is a trademark of Google Inc. HomeLink® is a registered trademark of Gentex Corporation. iPhone® is a registered trademark of Apple, Inc. All rights reserved. Siri® and Siri® Eyes Free are registered trademarks of Apple, Inc. The Sirius®, XM®, and SiriusXM® names and all related marks and logos are trademarks of Sirius XM Radio Inc. Twitter® is a registered trademark of Twitter, Inc. YouTube® is a registered trademark of Google Inc. This brochure is intended for general descriptive and informational purposes only. It is subject to change and does not constitute an offer, representation or warranty (express or implied) by Nissan North America, Inc. Interested parties should confirm the accuracy of any information in this brochure as it relates to a vehicle directly with Nissan North America, Inc., before relying on it to make a purchase decision. Nissan North America, Inc., reserves the right to make changes, at any time, without prior notice, in prices, colors, materials, equipment, specifications, and models and to discontinue models or equipment. Due to continuous product development and other pre- and post-production factors, actual vehicle, materials and specifications may vary from this brochure. Some vehicles shown with optional equipment. See the actual vehicle for complete accuracy. Availability and delivery times for particular models or equipment may vary. Specifications, options and accessories may differ in Hawaii, U.S. territories and other countries. For additional information on availability, options or accessories, see your Nissan dealer or contact Nissan North America, Inc. At [NissanUSA.com](http://NissanUSA.com), you'll find virtual product demonstrations, a way to "build your own Nissan," a dealer locator, and more information about key Nissan support services. Or if you'd prefer, call 1-800-NISSAN-3 for answers to specific questions about TITAN® or any other Nissan vehicle. The Nissan names, logos, product names, feature names, and slogans are trademarks owned by or licensed to Nissan Motor Co. Ltd. and/or its North American subsidiaries. Other trademarks and trade names are those of their respective owners. **Always wear your seat belt, and please drive responsibly.** ©2017 Nissan North America, Inc. 18 TITAN 1820680-N-10/17-75M-CGI.





TITAN®  
PRO-4X® Crew Cab




TITAN XD®  
S Single Cab



TITAN  
SV King Cab®



TITAN  
SL Crew Cab



TITAN XD  
Platinum Reserve Crew Cab

**MASSIVE** jobs require the right tools, and with TITAN and TITAN XD, you've got them. Up to 2,910 lbs. of maximum payload,<sup>1</sup> and up to 12,640 lbs. of maximum towing capacity.<sup>2</sup> You work smarter too, with a choice of three cabs, an incredibly capable truck bed, advanced technology that redefines towing,<sup>2</sup> and comfort and convenience that makes this one premium ride. The 2018 Nissan TITAN and TITAN XD. Taking on any task with truckloads of **CAPABILITY**.

(Diesel engine late availability)

America's Best Truck Warranty  
**5 YEARS/100,000 MILES\***  
**BUMPER-TO-BUMPER WARRANTY**

TITAN and TITAN XD.  
See dealer for limited warranty details.



# TITAN® EPIC STRENGTH

The TITAN of Trucks is built to work, and work hard. You've got massive power, a 7-speed transmission, and 4-wheel ventilated disc brakes. Underneath, a reinforced frame and rugged components. Add in a bold look, an interior that would make a luxury sedan jealous, and advanced technology, and the TITAN is ready to take on just about whatever you need. And if you need even more groundbreaking performance – check out the TITAN XD.

390-hp 5.6-L  
Endurance® V8

Reinforced, Fully  
Boxed, Full-length  
Ladder Frame

Crew Cab up to  
1,610-lb.  
Maximum Payload<sup>4</sup>

Crew Cab up to  
9,400 lbs.  
Maximum Towing<sup>5</sup>

4-wheel  
Ventilated Disc  
Brakes



# TITAN XD® MASSIVE CAPABILITIES

Just imagine what you can do with TITAN XD. It all starts with a solid core, and TITAN XD lays the groundwork with a full-length, fully boxed ladder frame, reinforced in key areas for incredible lateral rigidity. From there, we attach components, many of them tried and proven from our Nissan Commercial Vehicles program. It all adds up to strength, durability, and reliability you can count on for years to come.

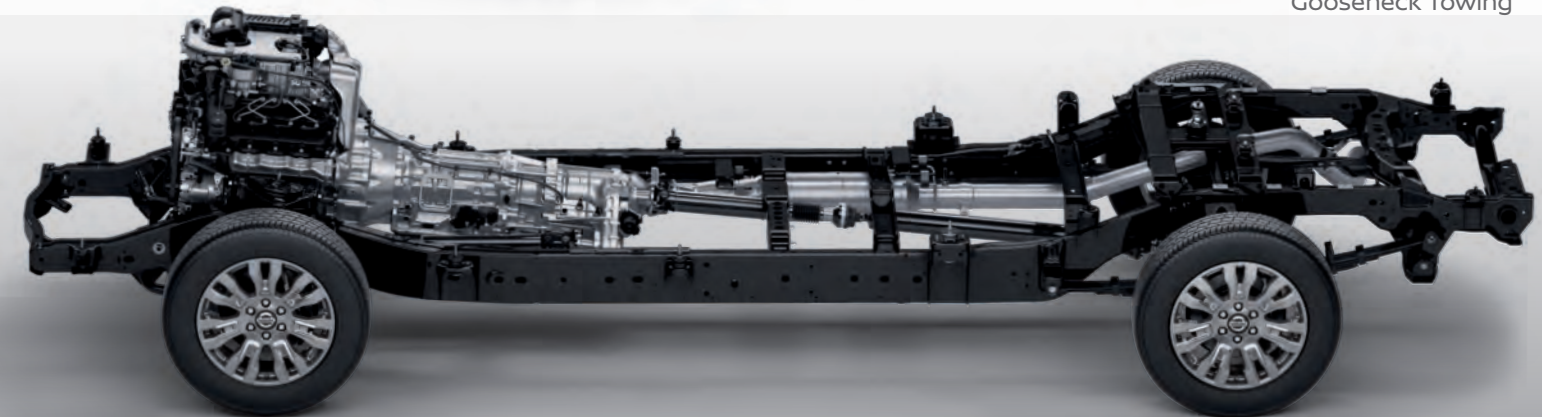
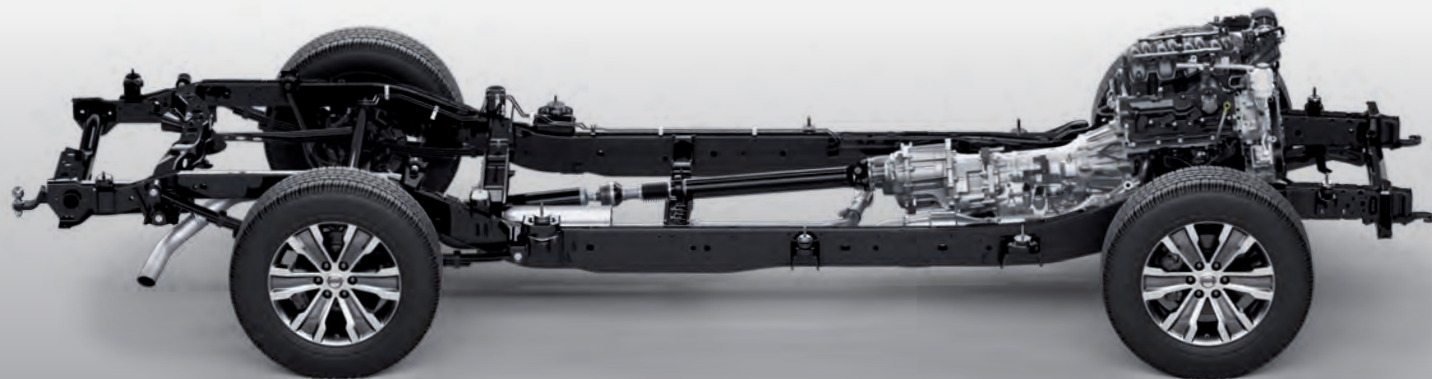
Available 5.0-L  
Cummins® V8  
Turbo Diesel  
(Late availability)

Reinforced, Fully  
Boxed, Full-length  
Ladder Frame with  
Commercial Grade  
Components

Crew Cab up to  
2,080-lb.  
Maximum Payload<sup>1</sup>  
(Diesel engine late availability)

Crew Cab up to  
12,280 lbs.  
Maximum Towing<sup>2</sup>  
(Diesel engine late availability)

Available  
Gooseneck Towing







Nissan TITAN® SV Crew Cab 4x4 shown with additional accessories.<sup>5</sup>

**TITAN XD**  
**5.0-L CUMMINS® TURBO DIESEL**

Legendary power, reliability, and efficiency. Under TITAN XD's hood beats the heart of a beast - an available 5.0-liter V8 turbo diesel built by legendary manufacturer Cummins®. Boasting a 4-valve-per-cylinder DOHC design, with a two-stage turbo and ceramic glow plugs, it's as modern as it is powerful. (Late availability)



**310** | **555**  
HORSEPOWER | LB-FT OF TORQUE



**TITAN XD**  
**AVAILABLE GOOSENECK TOWING**

TITAN XD's integrated Gooseneck Hitch gives you more ways to tow. Engineered directly into the frame, it's ready to handle the big loads.<sup>2</sup> And when not in use, the ball is removable and stores in a convenient available storage bag.



Nissan TITAN XD® Platinum Reserve Crew Cab 4x4 with Cummins® diesel engine (late availability) shown.<sup>2</sup>



**TITAN® / TITAN XD®**  
**5.6-L ENDURANCE® V8 GAS ENGINE**

Available on TITAN and TITAN XD, the Endurance® V8 gas engine features Direct Injection, a 4-valve-per-cylinder design, and Variable Valve Event and Lift (VVEL®) technology for power, efficiency, and refinement in a tested, proven package.

**390** | **394**  
HORSEPOWER | LB-FT OF TORQUE





### ON THE LOOKOUT

With its super-size 7.0" screen, it's easy to use the Intelligent Around View® Monitor to line up to a trailer. And with the system's virtual 360° composite bird's-eye view, you've got enhanced visibility to help you maneuver even in tight spots.<sup>6,7,8</sup>

### TOWING MADE EASY

The innovative Trailer Light Check makes it easy to tow - even when you're going solo. Once you've hooked up your trailer, you can easily check all brake light connections by cycling through the lights with your Nissan Intelligent Key®. No muss, no fuss, no help needed.<sup>2,6</sup>



### MASTER MULTI-TASKER

TITAN® is ready to tackle the tough jobs, with flexible rear-seat storage thanks to a lockable cargo organizer that helps keep things secure and out of sight.<sup>6,9</sup> The container's top even folds out to create a flat floor for easy loading.<sup>6,9</sup> TITAN's truck bed is a master of bring it, with features like a spray-on bedliner,<sup>6</sup> Utili-track® multi-channel system,<sup>6</sup> 120-V in-bed power outlet,<sup>6</sup> and bright LED bed lighting.<sup>6</sup>



Nissan TITAN XD® Platinum Reserve Crew Cab 4x4 with Cummins® diesel engine (late availability) shown.<sup>2</sup>



Nissan TITAN® SV King Cab® 4x4 shown.<sup>4</sup>

TITAN/TITAN XD®  
Single Cab - 8'



TITAN/TITAN XD  
King Cab® - 6.5'



TITAN  
Crew Cab - 5.5'



TITAN XD  
Crew Cab - 6.5'



### 3 AVAILABLE BED LENGTHS

To make sure you have the right equipment for the job, TITAN and TITAN XD give you the flexibility the job requires with 3 available bed lengths, depending on cab configuration.<sup>9</sup>





## SERIOUSLY EQUIPPED

Epic starts where the pavement ends. And with the PRO-4X model, it's never been more exciting – with a truckload of advanced 4x4 gear, including hill start assist, hill descent control, and 4-wheel ABLs. It keeps getting better, with unique interior trim and competition-grade equipment that reads like a serious off-roader's wish list.

18" All-terrain Tires / Electronic Locking Rear Differential / Bilstein® Off-road Performance Shocks



## TECHNICAL CLIMBER

PRO-4X takes advantage of advanced technology to tackle the most challenging conditions. The Advanced Drive-Assist® Display<sup>6,10,11</sup> includes a dedicated off-road display as well as a Tire Pressure Monitoring System.<sup>6,12</sup> And the Intelligent Around View® Monitor is a game-changer,<sup>6,7</sup> helping you rock-crawl and avoid obstacles you might not otherwise see.



## BUILT TO TAKE A BEATING

If you can't go up, over or around, it's good to know that along with oil pan and fuel tank skid plates, PRO-4X adds transfer case and lower radiator skid plates to help protect vital parts.







### FIRST CABIN

TITAN® and TITAN XD® take a huge step forward in comfort, quietness, and convenience. Long hauls, chilly mornings, date nights. You name it, and this truck's premium features will spoil you for anything else – even many luxury cars.

Front and Rear Zero Gravity Seats<sup>6, 15</sup>

Climate-controlled Front Seats<sup>6</sup>

Heated Steering Wheel<sup>6</sup>

Remote Engine Start System<sup>6, 16</sup>

### GET AWAY WITH JUST A WARNING

Cars sneak up on you or sit in the blind spot area, and shopping carts appear out of nowhere. TITAN helps out with a range of available Nissan Intelligent Mobility features that can detect movement around your vehicle, whether you're parked or out on the road.

Blind Spot Warning<sup>6, 17</sup>

Rear Cross Traffic Alert<sup>6, 18</sup>

Intelligent Around View® Monitor<sup>6, 7</sup>



### NISSANCONNECT® SERVICES

Let our people help look after you and your people. With NissanConnect Services,<sup>14</sup> you have a selection of plans and services ranging from remote engine start access on your compatible smartphone<sup>6, 16</sup> to calling for help if the system senses there's been an accident.<sup>14</sup> Hey, that's what friends are for.



EMERGENCY PREPAREDNESS



REMOTE ACCESS



CUSTOMIZABLE ALERTS



CONVENIENCE SERVICES

### EVEN THE DETAILS ARE BIG

Space and innovation mean long-term appreciation of the interior. Relocating the shift lever to the steering column puts controls closer to you and creates a huge center console<sup>6</sup> – making easy access for driver and passenger alike. Add in little details like a glove compartment lever that's moved towards the center for a quick reach and you might never want to get out.



### TITAN CREW CAB – A BETTER BACK SEAT

Family, friends, or crew, TITAN Crew Cab goes a long way to keeping everyone happy in the back seat. Zero Gravity seats simulate weightlessness that can help reduce fatigue, with the added comfort of heated outboard rear seats and dedicated rear vents. There's even a power outlet for charging up.<sup>6, 15, 19</sup>

Heated Outboard Rear Seats<sup>6</sup>

120-volt Power Outlet<sup>6</sup>

Rear Passenger Vents<sup>6</sup>



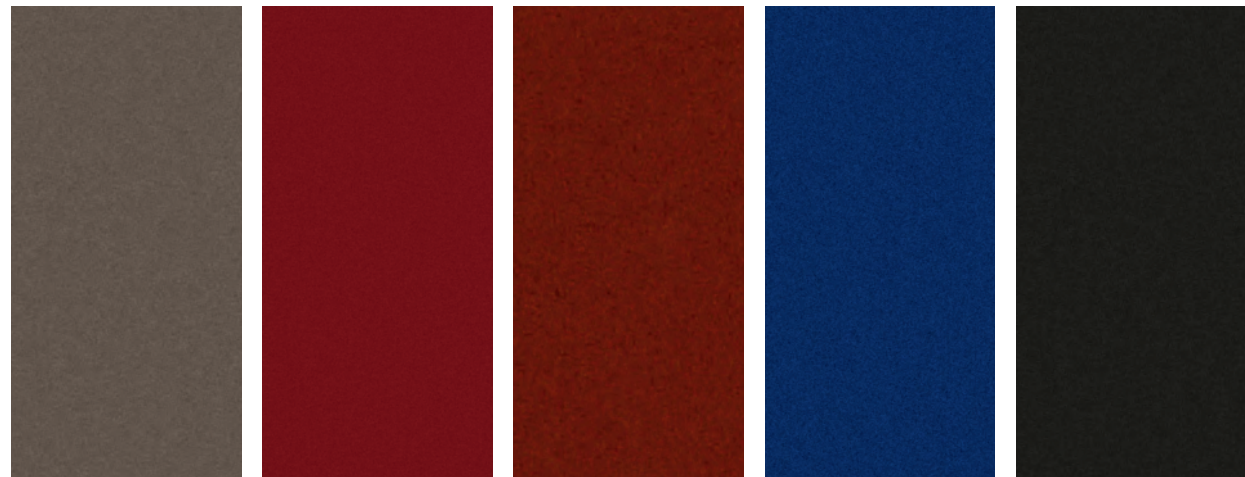


## CHOOSE YOUR COLOR



Glacier White QAK Pearl White<sup>20</sup> QAB Brilliant Silver K23 Gun Metallic KAD SolarFlare Yellow<sup>20</sup> EAZ

	S	SV	PRO	SL	PR
BLACK CLOTH	<input checked="" type="checkbox"/>	<input checked="" type="checkbox"/>			
BEIGE CLOTH		<input checked="" type="checkbox"/> <sup>21</sup>			
BLACK LEATHER		<input checked="" type="checkbox"/> <sup>22</sup>			
BEIGE LEATHER		<input checked="" type="checkbox"/> <sup>22</sup>			
BLACK/BROWN LEATHER					<input checked="" type="checkbox"/> <sup>23</sup>



Java Metallic CAJ Cayenne Red NAH Forged Copper CAU Deep Blue Pearl RAY Magnetic Black G41

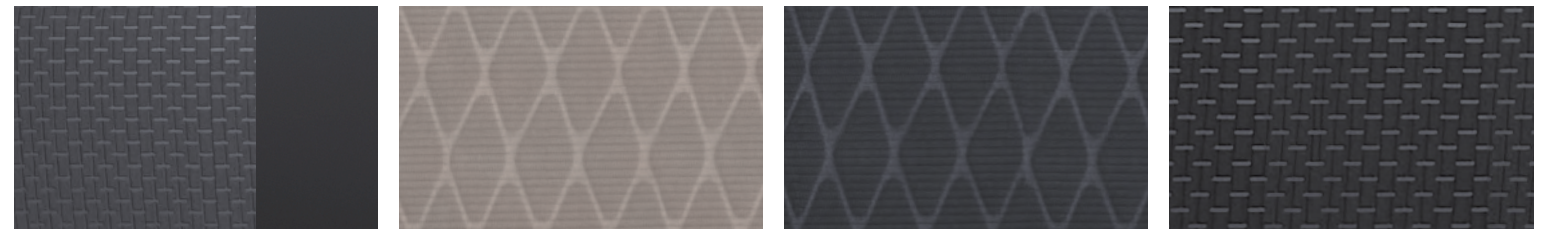
	S	SV	PRO	SL	PR
BLACK CLOTH	<input checked="" type="checkbox"/>	<input checked="" type="checkbox"/>			
BEIGE CLOTH		<input checked="" type="checkbox"/> <sup>21</sup>			
BLACK LEATHER		<input checked="" type="checkbox"/> <sup>22</sup>			
BEIGE LEATHER		<input checked="" type="checkbox"/> <sup>22</sup>			
BLACK/BROWN LEATHER					<input checked="" type="checkbox"/> <sup>23</sup>

Nissan has taken care to ensure that the color swatches presented here are the closest possible representations of actual vehicle colors. Swatches may vary slightly due to the printing process and whether viewed in daylight, fluorescent or incandescent light. Please see the actual colors at your local Nissan dealer.

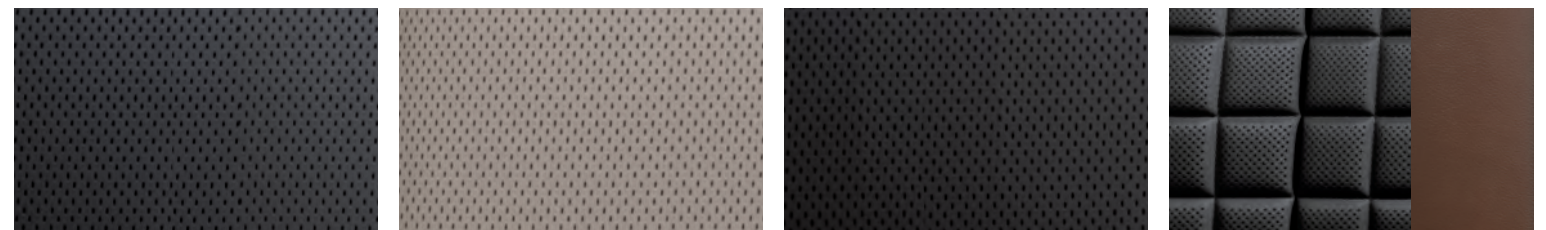
## CHOOSE YOUR INTERIOR



Nissan TITAN® Platinum Reserve Crew Cab shown in Black/Brown Leather.



Black Cloth S Beige Cloth SV<sup>21</sup> Black Cloth SV Black Cloth PRO-4X\*



Black Leather<sup>20</sup> SV<sup>21</sup> | SL Beige Leather<sup>20</sup> SV<sup>22</sup> | SL Black Leather PRO-4X\* Black<sup>23</sup>/Brown Leather Platinum Reserve



## CHOOSE YOUR TRIM LEVEL

**S**

5.6-liter 32-valve V8 engine with 7-speed automatic transmission, hill start assist, 13" front and rear vented disc brakes, 18" styled steel wheels with P265/70R18 all-season tires, 8-ft. truck bed, dampened assist tailgate, Easy Clean® vinyl flooring, 40/20/40-split bench front seat with flip-down center seat, column shifter with manual shift mode, remote keyless entry with Push Button Ignition, Hands-free Text Messaging Assistant,<sup>26</sup> Bluetooth® Hands-free Phone System,<sup>14</sup> illuminated steering wheel-mounted audio and cruise controls, four cup holders and four bottle holders, manual sliding back window, AM/FM/CD audio system with 5.0" color display, four speakers, streaming audio via Bluetooth® wireless technology,<sup>14</sup> USB connection port,<sup>19</sup> RearView Monitor,<sup>27</sup> Vehicle Dynamic Control (VDC)<sup>28</sup> with Traction Control System (TCS)

**King Cab adds:** 6.5-ft. truck bed, two rear door pockets, four additional bottle holders, 60/40-split bench rear seat, rear privacy glass

**Crew Cab adds:** 5.5-ft. truck bed, two additional cup holders, 60/40-split bench rear seat with center flip-down armrest, power rear side windows

**XD S Adds:** Optional Cummins® 5.0-liter DOHC 32-valve V8 turbo diesel with Aisin® 6-speed automatic transmission and Bosch® ceramic glow plugs (late availability), 14" front and rear vented disc brakes, 17" styled steel wheels, 6.5-ft. truck bed (Crew Cab only)



**SL**

INCLUDES SV EQUIPMENT PLUS:

20" Aluminum-alloy wheels with all-season tires, LED headlights/Daytime Running Lights, fog lights, running boards, chrome exterior trim, body-color rear bumper, power-folding and auto-dimming driver's outside mirror, Front and Rear Sonar System,<sup>15</sup> Utili-track® Channel System with four tie-down cleats, Nissan Navigation System including 7.0" touch-screen monitor,<sup>29</sup> NissanConnect® Mobile Apps,<sup>14</sup> NissanConnect® Services,<sup>14</sup> Nissan Voice Recognition, SiriusXM® Traffic and Travel Link,<sup>14</sup> Siri® Eyes Free,<sup>14</sup> Nissan Intelligent Key® with door handle request switch, Remote Engine Start System with Intelligent Climate Control,<sup>16</sup> Dual Zone Automatic Temperature Control, front captain's chairs with 8-way power driver's seat, interior 120-V and 12-V outlets, lockable rear seat cargo organizer, leather-wrapped steering wheel, leather-appointed seats, wood-tone interior trim, power sliding back window with defroster, Rockford Fosgate®-powered audio system, Blind Spot Warning<sup>17</sup> and Rear Cross Traffic Alert,<sup>18</sup> Class IV tow hitch receiver with 4-pin/7-pin wiring harness<sup>5</sup>

**SL XD Adds:** Front tow hooks, power heated chrome manually extendable tow mirrors with turn signal indicators and puddle lights, integrated gooseneck hitch receiver<sup>2</sup>



**SV**

INCLUDES S EQUIPMENT PLUS:

18" Silver-painted aluminum-alloy wheels, oil pan and fuel tank skid plates (4x4 models only), front tow hooks (4x4 only), chrome exterior trim, Advanced Drive-Assist® Display,<sup>10,11</sup> Fine Vision electroluminescent gauges, SiriusXM® Satellite Radio,<sup>14</sup> stain-resistant cloth seat trim, interior mood lighting, sun visors with illuminated vanity mirrors and extension, grocery hooks on bottom of rear seat cushion (Crew Cab only), silver metallic interior accents, trailer sway control

**XD SV Adds:** Front tow hooks, power heated black manually extendable tow mirrors with turn signal indicators, trailer brake controller and trailer light check,<sup>2</sup> Class IV tow hitch receiver with 4-pin/7-pin wiring harness,<sup>2</sup> integrated gooseneck hitch receiver<sup>2</sup>



**PLATINUM RESERVE**

INCLUDES SL EQUIPMENT PLUS:

20" Dark chrome-clad aluminum-alloy wheels with all-season tires, dark and satin chrome-finished grille, dark chrome door handles and tailgate finisher, outside mirrors with reverse tilt-down feature, power-folding driver's outside mirror, two-tone exterior paint, chrome-tipped exhaust finisher, illuminated running boards, climate-controlled front seats (heated and cooled), heated outboard rear seats, premium leather-appointed seats with Platinum Reserve logo, heated leather-wrapped steering wheel with wood-tone insert, premium open-pore wood-tone trim, dark chrome interior accents, carpeted floor mats with Platinum Reserve logo, metallic kick plate finisher with Platinum Reserve logo, Intelligent Around View® Monitor,<sup>7</sup> trailer brake controller and trailer light check,<sup>5</sup> Class IV tow hitch receiver with 4-pin/7-pin wiring harness<sup>5</sup>

**XD Platinum Reserve Adds:** Power heated dark chrome manually extendable tow mirrors with turn signal indicators and puddle lights, integrated gooseneck hitch receiver<sup>2</sup>



**PRO-4X®**

INCLUDES SV EQUIPMENT PLUS:

Switch-operated 2-speed transfer case (4WD), hill descent control, electronic locking rear differential, Bilstein® off-road performance shocks, 18" dark-finished aluminum-alloy wheels with all-terrain tires, transfer case/lower radiator skid plates, LED headlights/Daytime Running Lights, fog lights, spray-on bedliner, Nissan Navigation System including 7.0" touch-screen monitor,<sup>29</sup> NissanConnect® Mobile Apps,<sup>14</sup> SiriusXM® Traffic and Travel Link,<sup>14</sup> Siri® Eyes Free,<sup>14</sup> Nissan Intelligent Key® with door handle request switch, Dual Zone Automatic Temperature Control, front captain's chairs with 8-way power driver's seat, interior 120-V and 12-V outlets, lockable rear seat cargo organizer, leather-wrapped steering wheel, Blind Spot Warning<sup>17</sup> and Rear Cross Traffic Alert,<sup>18</sup> Class IV tow hitch receiver with 4-pin/7-pin wiring harness<sup>5</sup>

**XD PRO-4X Adds:** Front tow hooks, power heated black manually extendable tow mirrors with turn signal indicators, trailer brake controller and trailer light check,<sup>2</sup> integrated gooseneck hitch receiver<sup>2</sup>





## CHOOSE YOUR PACKAGE

	TITAN® SINGLE CAB	TITAN KING CAB®	TITAN CREW CAB	TITAN XD® SINGLE CAB	TITAN XD KING CAB	TITAN XD CREW CAB
<b>S Utility Package.</b> Front overhead storage console, factory-applied spray-on bedliner, Class IV tow hitch receiver with 4-pin/7-pin wiring harness <sup>5</sup>	■ (S)	■ (S)	■ (S)	■ (S)	■ (S)	■ (S)
<b>SV Utility Package.</b> Utili-track® Channel System with four tie-down cleats, factory-applied spray-on bedliner, LED under-rail bed and tailgate area lighting, bed-mounted 120-volt AC power outlet  TITAN King Cab/Crew Cab, TITAN XD King Cab/Crew Cab adds: Lockable rear-seat cargo organizer	■ (SV)	■ (SV) ■ (SV)	■ (SV) ■ (SV)	■ (SV)	■ (SV) ■ (SV)	■ (SV) ■ (SV)
<b>PRO-4X® Utility Package.</b> Utili-track® Channel System with four tie-down cleats, LED under-rail bed and tailgate area lighting, bed-mounted 120-V AC power outlet, Front and Rear Sonar System, <sup>13</sup> Rockford Fosgate®-powered audio system with 12 speakers, including center speaker and subwoofer, power sliding back window with defroster, electronic tailgate lock, rear bumper step assist	—	■ (PRO-4X)	■ (PRO-4X)	—	■ (PRO-4X)	■ (PRO-4X)
<b>Platinum Reserve Utility Package.</b> TITAN Boxes, electronic tailgate lock, rear bumper step assist	—	—	■ (Platinum Reserve)	—	—	■ (Platinum Reserve)
<b>SV Convenience Package.</b> Auto-on/off headlights, body-color rear bumper, side mirrors with convex spotter mirror, Nissan Intelligent Key® with front door handle request switch, Dual Zone Automatic Temperature Control, leather-wrapped steering wheel, Front and Rear Sonar System, <sup>13</sup> auto-dimming rearview mirror, HomeLink® Universal Transceiver, Blind Spot Warning, <sup>17</sup> Rear Cross Traffic Alert, <sup>18</sup> Class IV tow hitch receiver with 4-pin/7-pin wiring harness <sup>5</sup>  TITAN King Cab/Crew Cab adds: Nissan Navigation System including 7.0" multi-touch control monitor, <sup>29</sup> NissanConnect® Mobile Apps; <sup>14</sup> Nissan Voice Recognition for audio and navigation, <sup>29</sup> Siri® Eyes Free; <sup>14</sup> SiriusXM® Traffic and Travel Link; <sup>14</sup> front cloth captain's chairs with center console, heated front seats, center console-mounted 120-V and 12-V power outlets, 8-way power adjustable driver's seat with power lumbar support, rear air conditioning vents, chrome interior door locks, power sliding back window with defroster, rain-sensing wipers  TITAN XD adds: 20" Machine-finished aluminum-alloy wheels, step rails, side step assist (Single cab only)	■ (SV)	■ (SV) ■ (SV)	■ (SV) ■ (SV)	■ (SV) ■ (SV) ■ (SV)	■ (SV) ■ (SV) ■ (SV)	■ (SV) ■ (SV) ■ (SV)
<b>PRO-4X Convenience Package.</b> NissanConnect® Services powered by SiriusXM® <sup>14</sup> Remote Engine Start System with Intelligent Climate Control, <sup>16</sup> leather-appointed seats with contrast stitching, 4-way power adjustable passenger's seat, heated front seats, heated steering wheel, Memory System – driver's seat, steering wheel, and auto-dimming outside mirrors, auto-dimming rearview mirror, HomeLink® Universal Transceiver	—	■ (PRO-4X)	■ (PRO-4X)	—	—	■ (PRO-4X)
<b>Tow Package.</b> Front tow hooks, power heated manually extendable tow mirrors with integrated turn signal indicators and puddle lights, trailer brake controller and trailer light check <sup>5</sup>	■ (SV)	■ (SV)	■ (SV, SL)	—	—	—
<b>Seat Delete Package.</b> REMOVES: 60/40 split fold-up rear bench seat ADDS: Rear flat-load floor, rear wall finisher with tie-down hooks. This package may remove the following features based upon how your TITAN is equipped: <sup>30</sup> rear air conditioning vents, center console-mounted 120-volt AC and 12-volt DC power outlets, lockable rear seat cargo organizer. This package substitutes 40/20/40-split bench front seat with flip-down center seat with armrest for the following features: <sup>30</sup> front captain's chairs with center console, 8-way power adjustable driver's seat, driver-side power lumbar support	—	■ (S, SV)	—	—	■ (S, SV)	—
<b>Texas TITAN Edition.</b> Chrome front grille (inner and outer), 20" chrome-clad aluminum-alloy wheels, chrome exhaust finisher, Texas TITAN exterior badging, carpeted floor mats with Texas TITAN Edition logo, metallic kick plates	—	■ (SV)	■ (SV, SL)	—	■ (SV)	■ (SV, SL)
<b>Chrome Package.</b> Chrome front grille (inner and outer), 20" chrome-clad aluminum-alloy wheels, chrome exhaust finisher, metallic kick plates	—	■ (SV)	■ (SV, SL)	—	■ (SV)	■ (SV, SL)
<b>Premium Package.</b> Climate-controlled front seats (heated and cooled), outside mirrors with reverse tilt-down feature, Intelligent Around View® Monitor <sup>7</sup>  TITAN King Cab/Crew Cab, TITAN XD King Cab/Crew Cab adds: TITAN Boxes	—	■ (PRO-4X) ■ (PRO-4X)	■ (PRO-4X)	—	■ (PRO-4X) ■ (PRO-4X)	■ (PRO-4X) ■ (PRO-4X)
<b>Monotone Paint Package.</b> Body-color front and rear bumpers, wheel arch moldings, and rocker panels	—	■ (PRO-4X)	■ (PRO-4X)	—	■ (PRO-4X)	■ (PRO-4X)
<b>Leather Package.</b> Leather-appointed seats, 4-way power adjustable passenger's seat	—	—	■ (SV)	—	—	—
<b>Nissan Mobile Entertainment System.</b> Nissan Mobile Entertainment System with head restraint monitors, two wireless headphones	—	—	■ (Platinum Reserve)	—	—	■ (Platinum Reserve)
<b>Heavy Duty GAWR Package.</b> High-capacity front springs (4x4 V8 gas engine only)	—	—	—	■ (S, SV)	■ (S, SV)	■ (S, SV)



## CHOOSE YOUR ACCESSORIES



Every Genuine Nissan Accessory is custom-fit, custom-designed and durability-tested. Each one is also backed by Nissan's 5-year, 100,000-mile (whichever occurs first) limited warranty (if installed by dealer at the time of purchase).<sup>31</sup> Ask your dealer whether a specific Genuine Nissan Accessory may be financed when installed by the dealer at the time of purchase.

### A. TITAN® Boxes

Store and protect your gear. Lockable and removable.<sup>9</sup>

### B. Tailgate Guard

Helps stop things from slipping between the cracks.

### C. Fog Lights

Help you see and be seen.

### D. Aluminum-insert Door Sills

Premium as soon as you open the door.

### E. Running Boards and Running Board Lighting (sold separately)

The bright way to step up to style and strength.

### F. Nissan WiFi & Apps

Get on the road and online.<sup>14</sup>

### G. Wireless Smartphone Charger

Power up without plugging in.

### H. Water-resistant Seat Covers

It's no sweat keeping your TITAN looking good.

### Additional Accessories:

- Remote Engine Start System<sup>16</sup>
- Sliding Bed Extender
- Sliding Bed Divider
- Fixed Bed Extender
- Auto-dimming Rearview Mirror
- Stainless Steel Exhaust Finisher

## GENUINE NISSAN ACCESSORIES

# TURN BRAND-NEW INTO ALL YOU

For more information and to shop online for TITAN Genuine Nissan Accessories, go to [bit.ly/18titan-estore](https://bit.ly/18titan-estore)

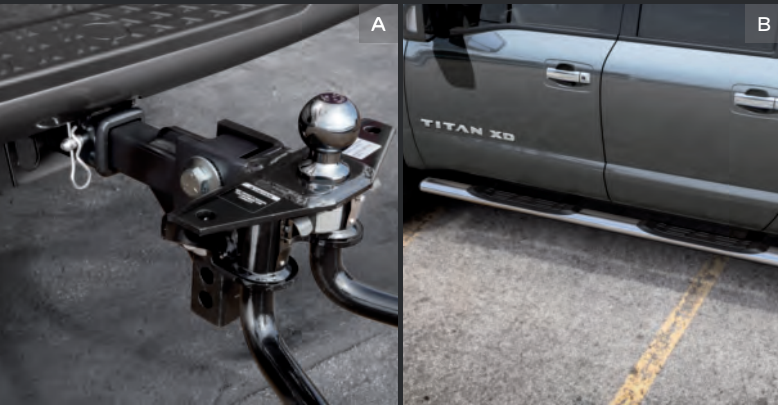


To see Genuine Nissan Accessories in action, go to [bit.ly/18titan\\_gna](https://bit.ly/18titan_gna)

Nissan TITAN® SL shown in Gun Metallic with Fog Lights (standard on SL), Running Boards (standard on SL), Bed Tube Rails,<sup>32</sup> 20" Black Aluminum-alloy Wheels,<sup>33</sup> Black Finish Grille,<sup>34</sup> and Splash Guards.



## CHOOSE YOUR ACCESSORIES



Along with the other hard-working accessories listed below, you'll find a full line of accessories designed specifically to work with the unique system of channels and cleats in TITAN's incredibly versatile Utili-track® system.<sup>9</sup>

**A. Weight-distributing Hitch Ball Mount and Hitch Ball (Class IV)<sup>5</sup>**  
If you're getting hitched, do it right.

**B. Chrome Step Rails**  
Get a leg up in style.

**C. Lockable Rear-seat Cargo Organizer with Fold-out Flat Floor<sup>9</sup>**  
Under-seat storage that's out of sight.

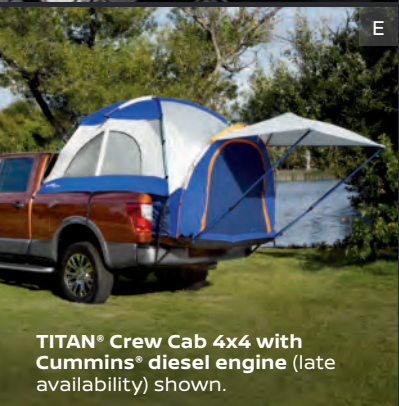
**D. Tie-down Cleats<sup>9</sup>**  
Help keep your cargo in lockdown.

**E. Bed Tent<sup>9</sup>**  
It's your TITAN! It's your campsite! It's both!

**F. Hitch Ball Mount, Class III<sup>5</sup>**  
We'll hook you up.

**G. Side Step Assist**  
Easy access? Step right up!

**H. All-season Floor Mats**  
Don't let the muck mess up your truck.



For more information and to shop online for TITAN® Genuine Nissan Accessories, go to [bit.ly/18titan-estore](https://bit.ly/18titan-estore)

To see Genuine Nissan Accessories in action, go to [bit.ly/18titan-gna](https://bit.ly/18titan-gna)

Nissan TITAN® XD SV Crew Cab 4x4 with Cummins® diesel engine (late availability) and Convenience Package and Utility Package shown<sup>1</sup> in Gun Metallic with Sliding Bed Divider, Splash Guards, Running Boards (Part of Convenience Package), Tailgate Guard, Bed Tube Rails,<sup>32</sup> and Rear Bumper Step Assist.



## SPECIFICATIONS

	TITAN®					TITAN XD®				
	S SC/KC/CC	SV SC/KC/CC	PRO-4X® KC/CC	SL CC	Platinum Reserve CC	S SC/KC/CC	SV SC/KC/CC	PRO-4X KC/CC	SL CC	Platinum Reserve CC
<b>Engines</b>										
5.6-liter DOHC 32-valve V8 engine	■	■	■	■	■	■	■	■	■	■
__Horsepower – 390 hp @ 5,800 rpm										
__Torque – 394 lb-ft @ 4,000 rpm										
Variable Valve Event and Lift (VVEL®)	■	■	■	■	■	■	■	■	■	■
Cummins® 5.0-liter DOHC 32-valve V8 Turbo Diesel engine (Late availability)						□	□	□	□	□
__Horsepower – 310 hp @ 3,200 rpm										
__Torque – 555 lb-ft of torque @ 1,600 rpm										
Bosch® ceramic glow plugs (Late availability)						□	□	□	□	□
<b>Drivetrain</b>										
7-speed automatic transmission	■	■	■	■	■	■	■	■	■	■
Aisin® 6-speed automatic transmission (Late availability)						□	□	□	□	□
Switch-operated 2-speed transfer case 4WD	□	□	■	□	□	□	□	■	□	□
Hill start assist	■	■	■	■	■	■	■	■	■	■
Hill descent control			■					■		
Electronic locking rear differential			■					■		
<b>Brakes</b>										
13.78" x 1.2" front vented disc and 13.58" x 0.8" rear vented disc brakes	■	■	■	■	■					
14.17" x 1.5" front vented disc and 14.37" x 1.2" rear vented disc brakes	■	■	■	■	■	■	■	■	■	■
4-wheel Anti-lock Braking System (ABS)	■	■	■	■	■	■	■	■	■	■
Electronic Brake force Distribution (EBD) and Brake Assist <sup>35</sup>	■	■	■	■	■	■	■	■	■	■
<b>Suspension/Steering</b>										
Independent double-wishbone front suspension with stabilizer bar	■	■	■	■	■	■	■	■	■	■
Multi-leaf rear suspension with solid axle and stabilizer bar	■	■	■	■	■	■	■	■	■	■
Bilstein® off-road performance shocks			■					■		
High-capacity front springs (4x4 V8 gas engine only)						HD	HD			
<b>Wheels/Tires</b>										
17" x 7.5" styled steel wheels						■	■			
18" x 8.0" silver-metallic styled steel wheels	■									
18" x 8.0" silver-painted aluminum-alloy wheels		■								
18" x 7.5" dark-finished aluminum-alloy wheels								■		
18" x 8.0" dark-finished aluminum-alloy wheels			■							
20" x 7.5" aluminum-alloy wheels							C1		■	
20" x 8.0" two-tone painted aluminum-alloy wheels					■					
20" x 7.5" chrome-clad aluminum-alloy wheels (King and Crew Cabs only)							CH, TT		CH, TT	
20" x 8.0" chrome-clad aluminum-alloy wheels (King and Crew Cabs only)		CH, TT			CH, TT					
20" x 7.5" dark chrome-clad aluminum-alloy wheels										■
20" x 8.0" dark chrome-clad aluminum-alloy wheels										
LT245/75R17 all-season tires						■	■			
P265/70R18 all-season tires	■	■								
LT275/65R18 all-terrain tires								■		
P275/70R18 all-terrain tires			■							

### TITAN Packages

■ Standard	<b>U2</b> Part of SV Utility Package	<b>P</b> Part of PRO-4X Premium Package	<b>M</b> Part of Monotone Paint Package (PRO-4X)
□ Optional	<b>L</b> Part of SV Leather Package	<b>T2</b> Part of SL Towing Package	<b>SD</b> Part of King Cab Seat Delete Package (S,SV)
<b>U1</b> Part of S Utility Package	<b>TT</b> Part of Texas TITAN Edition Package (SV, SL)	<b>CH</b> Part of Chrome Package (SV, SL)	
<b>C1</b> Part of SV Convenience Package	<b>U3</b> Part of PRO-4X Utility Package	<b>ME</b> Part of Platinum Reserve Nissan Mobile Entertainment System	
<b>T1</b> Part of SV Towing Package	<b>C2</b> Part of PRO-4X Convenience Package	<b>U4</b> Part of Platinum Reserve Utility Package	

### TITAN XD Packages

■ Standard	<b>C1</b> Part of SV Convenience Package	<b>C2</b> Part of PRO-4X Convenience Package	<b>U4</b> Part of Platinum Reserve Utility Package
□ Optional	<b>U2</b> Part of SV Utility Package	<b>P</b> Part of PRO-4X Premium Package	<b>M</b> Part of Monotone Paint Package (PRO-4X)
<b>U1</b> Part of S Utility Package	<b>TT</b> Part of Texas TITAN Edition Package (SV, SL)	<b>CH</b> Part of Chrome Package (SV, SL)	<b>SD</b> Part of King Cab Seat Delete Package (S,SV)
<b>HD</b> Part of Heavy Duty GAWR Package (S, SV)	<b>U3</b> Part of PRO-4X Utility Package	<b>ME</b> Part of Platinum Reserve Nissan Mobile Entertainment System	

	TITAN					TITAN XD				
	S SC/KC/CC	SV SC/KC/CC	PRO-4X® KC/CC	SL CC	Platinum Reserve CC	S SC/KC/CC	SV SC/KC/CC	PRO-4X KC/CC	SL CC	Platinum Reserve CC
<b>Wheels/Tires (continued)</b>										
LT265/60R20 all-season tires										
P275/60R20 all-season tires (King and Crew Cabs only)		CH, TT		■	■				■	■

### Exterior Features

Oil pan and fuel tank skid plates (4x4 models)		■	■	■	■					
Transfer case and lower radiator skid plates			■							
Removable front aero spoiler	■	■			■	■				■
Chrome-finished front grille – inner and outer (King and Crew Cabs only)		CH, TT		CH, TT						
Body-color front bumper			M							
Body-color rear bumper		C1	M	■						
Gun Metallic-painted bumpers, wheel arch moldings, and rocker panels			■							
Titanium-painted bumpers, wheel arch moldings, and rocker panels					■					■
Body-color wheel arch moldings and rocker panels			M							
Chrome bumpers (front bumper only for SL trim)		■		■						
Side mirrors with convex spotter mirror		C1	■	■	■					
Power heated manually extendable tow mirrors with integrated turn signal indicators and puddle lights		T1	U3	T2						
Outside mirrors with reverse tilt-down feature			P		■					
Power-folding driver's outside mirrors					■					
Auto-dimming outside mirrors			C2	■	■					
Class IV tow hitch receiver with 4-pin/7-pin wiring harness	U1	C1	■	■	■	U1	■	■	■	■
Trailer brake controller and trailer light check		T1	U3	T2	■					
Integrated gooseneck hitch										
Running boards (King and Crew Cabs only)				■	■					
Black step rails (Single Cab only)										
Automatic on/off headlights		C1	■	■	■					
Fog lights			■	■	■					
LED signature headlights with Follow Me Home function and LED Daytime Running Lights			■	■	■					
Front tow hooks (Not available for S trim, standard on 4x4 models)		T1	■	T2	■					
Power sliding back window with defroster (King and Crew Cabs only)		C1	U3	■	■					
Front and Rear Sonar System <sup>13</sup>		C1	U3	■	■					
Utili-track® Channel System with 4 tie-down cleats		U2	U3	■	■					
Factory-applied spray-on bedliner	U1	U2	■	■	■	U1	U2	■	■	■
TITAN Boxes					U4					U4
Bed-mounted 120-volt AC power outlet		U2	U3	■	■					
Dampened assist tailgate	■	■	■	■	■	■	■	■	■	■
Electronic tailgate lock			U3		U4					U4
Side step assist (Single Cab only)										
Rear bumper step assist			U3		U4					U4
Overhead LED cargo bed lights	■	■	■	■	■	■	■	■	■	■
LED under-rail bed and tailgate area lighting		U2	U3	■	■					
Chrome exhaust finisher (King and Crew Cabs only)		CH, TT		CH, TT	■					

### Comfort/Convenience

Advanced Drive-Assist® Display <sup>10,11</sup>		■	■	■	■	□	■	■	■	■
Nissan Navigation System, including 7.0" touch-screen monitor <sup>29</sup>		C1	■	■	■		C1	■	■	■
NissanConnect® Mobile Apps <sup>14</sup>		C1	■	■	■		C1	■	■	■
NissanConnect® Services powered by SiriusXM® (King and Crew Cabs only) <sup>14</sup>			C2	■	■			C2	■	■
Siri® Eyes Free (King and Crew Cabs only) <sup>14</sup>		C1	■	■	■		C1	■	■	■
Nissan Voice Recognition for audio and navigation (King and Crew Cabs only) <sup>29</sup>		C1	■	■	■		C1	■	■	■
SiriusXM® Traffic and Travel Link (King and Crew Cabs only) <sup>14</sup>		C1	■	■	■		C1	■	■	■
Bluetooth® Hands-free Phone System <sup>14</sup>	■	■	■	■	■	■	■	■	■	■
RearView Monitor <sup>27</sup>	■	■	■	■	■	■	■	■	■	■
Intelligent Around View® Monitor <sup>7</sup>			P		■			P		■
Dual Zone Automatic Temperature Control		C1	■	■	■		C1	■	■	■
Rear air conditioning vents (King and Crew Cabs only) <sup>36</sup>		C1	■	■	■		C1	■	■	■
Remote keyless entry with Push Button Ignition	■	■				■	■			
Proximity Activation (puddle lights, LED signature headlights, cargo lights, LED bed-mounted lights)			U3	■	■			■	■	■



## SPECIFICATIONS

Comfort/Convenience (continued)	TITAN®				
	S SC/KC/CC	SV SC/KC/CC	PRO-4X <sup>1</sup> KC/CC	SL CC	Platinum Reserve CC
Nissan Intelligent Key® with front door handle request switch and Push Button Ignition		C1	C2	■	■
Remote Engine Start System with Intelligent Climate Control <sup>16</sup>		C1	C2	■	■
HomeLink® Universal Transceiver		C1	C2	■	■
Auto-dimming rearview mirror		C1	C2	■	■
Rain-sensing wipers (King and Crew Cabs only)		C1	■	■	
Center console-mounted 120-volt AC and 12-volt DC power outlets (King and Crew Cabs only) <sup>36</sup>		C1	■	■	■
Lockable rear seat cargo organizer (King and Crew Cabs only) <sup>36</sup>		U2	■	■	■
Rear flat load floor with rear wall tie-down hooks	SD	SD			
Front overhead storage console	U1	■	■	■	■

Seating/Appointments					
40/20/40-split bench front seat with flip down center seat with armrest	■	■			
Front captain's chairs with center console (King and Crew Cabs only) <sup>36</sup>		C1	■	■	■
8-way power adjustable driver's seat and power lumbar support (King and Crew Cabs only) <sup>36</sup>		C1	■	■	■
4-way power adjustable passenger's seat (Crew Cab only)		L	C2	■	■
Heated front seats (King and Crew Cabs only)		CC	C2	■	
Climate-controlled front seats (heated and cooled)			P		■
60/40 Split fold-up rear bench seat (King and Crew Cabs only) <sup>36</sup>		□	□	■	■
60/40 Split fold-up rear bench seat delete (King Cab only)	SD	SD			
Heated outboard rear seats (Crew Cab only)			C2		■
Memory System – driver's seat and steering wheel			C2		
Memory System – driver's seat, steering wheel, and outside mirrors				■	■
Cloth seat trim with stain-resistant bolsters	■		■		
Stain-resistant cloth seat trim		■			
PRO-4X embroidered seats with white stitching			■		
Leather-appointed seats (Crew Cab only)		L	C2	■	
Premium leather-appointed seats					■
Leather-wrapped steering wheel		C1	■	■	■
Heated leather-wrapped steering wheel			C2		■
Chrome interior door locks		C1	■	■	■
Texas TITAN Edition badging and floor mats		TT		TT	
Metallic kick plates (King and Crew Cabs only)		CH, TT		CH, TT	

Audio/Entertainment					
AM/FM/CD audio system with 5.0" color display			■	■	■
AM/FM/CD audio system with 7.0" color display			■	■	■
Rockford Fosgate®-powered audio system with 12 speakers, including center speaker and subwoofer			U3	■	■
SiriusXM® Satellite Radio <sup>14</sup>		■	■	■	■
Streaming audio via Bluetooth® wireless technology <sup>14</sup>		■	■	■	■
Nissan Mobile Entertainment System with headrest monitors and two wireless headphones					ME

Safety/Security					
Nissan Air Bag System with single-stage driver and dual-stage front passenger supplemental air bags with seat-belt sensors <sup>37</sup>	■	■	■	■	■
Driver and front-passenger seat-mounted side-impact supplemental air bags <sup>37</sup>	■	■	■	■	■
Roof-mounted curtain supplemental air bags for side-impact and rollover head protection for front and rear outboard occupants with rollover sensor <sup>37</sup>	■	■	■	■	■
Vehicle Dynamic Control (VDC) <sup>28</sup> with Traction Control System (TCS)	■	■	■	■	■
Active Brake Limited Slip (ABLS)	■	■	■	■	■
Blind Spot Warning <sup>17</sup>		CC	■	■	■
Rear Cross Traffic Alert <sup>18</sup>		CC	■	■	■
Trailer Sway Control <sup>2, 5</sup>			■	■	■
Tire Pressure Monitoring System (TPMS) with Easy-Fill Tire Alert <sup>12, 38</sup>	■	■	■	■	■

TITAN XD®				
S SC/KC/CC	SV SC/KC/CC	PRO-4X KC/CC	SL CC	Platinum Reserve CC
	C1	■	■	■
		C2		■
	C1	C2	■	■
		C1	■	■
	C1	■	■	■
		C1	■	■
	U2	■	■	■
SD	SD			
U1	■	■	■	■

		C1	■	■	■
		C1	■	■	■
			C2	■	■
		CC	C2	■	
			P		■
SD	SD				
			C2		■
			C2	■	■
			C2	■	■
		C1	■	■	■
			C2		■
		C1	■	■	■
		TT		TT	
		CH, TT		CH, TT	

		■	■	■
		■	■	■
		U3	■	■
		■	■	■
		■	■	■
				ME

■	■	■	■	■	■
■	■	■	■	■	■
■	■	■	■	■	■
■	■	■	■	■	■
■	■	■	■	■	■
■	■	■	■	■	■
■	■	■	■	■	■
■	■	■	■	■	■
■	■	■	■	■	■
■	■	■	■	■	■
■	■	■	■	■	■
■	■	■	■	■	■

## TITAN CAPACITIES

TITAN Dimensions – Inches			
Exterior	Crew Cab	King Cab	Single Cab
Wheelbase	139.8	139.8	139.8
Overall length (PRO-4X)	228.1 (228.5)	228.1 (228.5)	228.1
Overall width (PRO-4X, Plat. Res.)	79.5 (80.7)	79.5 (80.7)	79.5
Overall height:			
4x2: S, SV	75.4	75.1	74.5, 74.6
4x2: SL, Platinum Reserve	75.6	—	—
4x4: S, SV	76.0	75.7	75.1, 75.2
4x4: PRO-4X	77.2	76.9	—
4x4: SL, Platinum Reserve	77.2	—	—
Bed length	67.0	78.7	98.5
Bed width (between wheel wells)	63.8 (50.0)	63.8 (50.0)	63.8 (50.0)
Bed depth	20.8	20.8	20.8

Interior			
Head room: front/rear	41.0/40.4	40.9/38.7	41.0
Leg room: front/rear	41.8/38.5	41.8/24.8	41.8
Hip room: front/rear	60.8/60.3	60.8/59.4	60.8
Shoulder room: front/rear	63.3/63.6	63.3/64.6	63.3

TITAN Payload and Towing – Lbs.			
Maximum payload (4x2) <sup>4</sup>	1,590	1,600	1,940
Maximum payload (4x4) <sup>4</sup>	1,610	1,630	1,950
Maximum towing (4x2) <sup>5</sup>	9,400	9,400	9,740
Maximum towing (4x4) <sup>5</sup>	9,230	9,240	9,470

2018 TITAN EPA Fuel Economy Estimates			
City/Highway/Combined MPG			
4x2: S, SV, SL, Platinum Reserve	15/21/18	15/21/18	15/21/18
4x4: S, SV, SL, Platinum Reserve	15/21/18	15/21/18	15/21/18
4x4: PRO-4X	15/20/17	15/20/17	15/20/17

Fuel Economy based on targeted 2018 EPA fuel economy estimates for 2018 TITAN only. TITAN XD fuel economy estimate is not available. EPA data not available at time of publication. Targeted fuel economy estimate based on Nissan internal testing results, subject to EPA confirmation. Actual mileage may vary with driving conditions – use for comparison only.

Follow Nissan on:



visit [NissanUSA.com/titan](https://www.nissanusa.com/titan)

PRINTED IN POLAND

<sup>1</sup>Maximum payload capacity when properly equipped. Maximum payload of up to 2,590 lbs for 2018 TITAN XD® Crew Cab 4x2 with Endurance® V8 gas engine; 2,520 lbs for 2018 TITAN XD® Crew Cab 4x4 with Endurance® V8 gas engine; 2,710 lbs for 2018 TITAN XD® King Cab® 4x2 with Endurance® V8 gas engine; 2,560 lbs for 2018 TITAN XD® King Cab® 4x4 with Endurance® V8 gas engine; 2,910 lbs for 2018 TITAN XD® Single Cab 4x2 with Endurance® V8 gas engine; 2,850 lbs for 2018 TITAN XD® Single Cab 4x4 with Endurance® V8 gas engine; 2,080 lbs for 2018 TITAN XD® Crew Cab 4x2 with Cummins® V8 diesel engine; 2,000 lbs for 2018 TITAN XD® Crew Cab 4x4 with Cummins® V8 diesel engine; 2,290 lbs for 2018 TITAN XD® King Cab® 4x2 with Cummins® V8 diesel engine; 2,120 lbs for 2018 TITAN XD® King Cab® 4x4 with Cummins® V8 diesel engine; 2,420 lbs for 2018 TITAN XD® Single Cab 4x2 with Cummins® V8 diesel engine; 2,300 lbs for 2018 TITAN XD® Single Cab 4x4 with Cummins® V8 diesel engine. Payload capacity varies by configuration. See Nissan Towing Guide and Owner's Manual for additional information. <sup>2</sup>Maximum towing capacity when properly equipped. Maximum towing of up to 11,280 lbs for 2018 TITAN XD® Crew Cab 4x2 with Endurance® V8 gas engine; 10,990 lbs for 2018 TITAN XD® Crew Cab 4x4 with Endurance® V8 gas engine; 11,380 lbs for 2018 TITAN XD® King Cab® 4x2 with Endurance® V8 gas engine; 11,040 lbs for 2018 TITAN XD® King Cab® 4x4 with Endurance® V8 gas engine; 11,600 lbs for 2018 TITAN XD® Single Cab 4x2 with Endurance® V8 gas engine; 11,330 lbs for 2018 TITAN XD® Single Cab 4x4 with Endurance® V8 gas engine; 12,310 lbs for 2018 TITAN XD® Crew Cab 4x2 with Cummins® V8 diesel engine; 12,030 lbs for 2018 TITAN XD® Crew Cab 4x4 with Cummins® V8 diesel engine; 12,510 lbs for 2018 TITAN XD® King Cab® 4x2 with Cummins® V8 diesel engine; 12,150 lbs for 2018 TITAN XD® King Cab® 4x4 with Cummins® V8 diesel engine; 12,640 lbs for 2018 TITAN XD® Single Cab 4x2 with Cummins® V8 diesel engine; 12,360 lbs for 2018 TITAN XD® Single Cab 4x4 with Cummins® V8 diesel engine. Towing capacity varies by configuration. See Nissan Towing Guide and Owner's Manual for additional information. <sup>3</sup>Claim based on years/mileage covered for *Ward's* 2017 Large Pickup Segmentation and Small Pickup Segmentation v. 2018 TITAN® and 2018 TITAN XD®. Nissan's New Vehicle Limited Warranty basic coverage excludes tires, corrosion coverage and federal and California emission performance and defect coverage. Other terms and conditions also apply. See dealer for complete warranty details. Warranty claim is current at time of printing. <sup>4</sup>Maximum payload capacity when properly equipped. Maximum payload of up to 1,590 lbs. for 2018 TITAN® Crew Cab 4x2; 1,610 lbs. for 2018 TITAN® Crew Cab 4x4; 1,600 lbs. for 2018 TITAN® King Cab® 4x2; 1,630 lbs. for 2018 TITAN® King Cab® 4x4; 1,940 lbs. for 2018 TITAN® Single Cab 4x2; 1,950 lbs. for 2018 TITAN® Single Cab 4x4. Payload capacity varies by configuration. See Nissan Towing Guide and Owner's Manual for additional information. <sup>5</sup>Maximum towing capacity when properly equipped. Maximum towing of up to 9,400 lbs. for 2018 TITAN® Crew Cab 4x2; 9,230 lbs. for 2018 TITAN® Crew Cab 4x4; 9,400 lbs. for 2018 TITAN® King Cab® 4x2; 9,240 lbs. for 2018 TITAN® King Cab® 4x4; 9,740 lbs. for 2018 TITAN® Single Cab 4x2; 9,470 lbs. for 2018 TITAN® Single Cab 4x4. Towing capacity varies by configuration. See Nissan Towing Guide and Owner's Manual for additional information. <sup>6</sup>Available feature. <sup>7</sup>IAVM cannot completely eliminate blind spots and may not detect every object. Operates at vehicle speeds below 5 mph. Always check surroundings and turn to look behind you before moving vehicle. <sup>8</sup>Virtual composite 360° view. <sup>9</sup>Cargo shown for display purposes only. Cargo and load capacity limited by weight and distribution. Always secure all cargo. Heavy loading of the vehicle with cargo, especially on the roof, will affect the handling and stability of the vehicle. <sup>10</sup>Driving is serious business and requires your full attention. If you have to use the feature while driving, exercise extreme caution at all times so full attention may be given to vehicle operation. <sup>11</sup>Information displayed is dependent on how vehicle is equipped. <sup>12</sup>TPMS is not a substitute for regular tire pressure checks. <sup>13</sup>The Sonar System is a convenience, not a substitute for proper parking and/or backing procedures. Always check that it is safe to do so before moving vehicle. May not detect every object. <sup>14</sup>Available services/features may be shown. Compatible connected device may be required. Only use services/features and device when safe and legal to do so. Subject to GPS and wireless network availability and connection, and system/technology limitations. Text rates/data usage/subscription may apply. Some services/features provided by companies not within Nissan or its partners' or agents' control and may be discontinued at any time. For more information, see dealer, Owner's Manual, or

## TITAN XD CAPACITIES

TITAN XD Dimensions – Inches			
Exterior	Crew Cab	King Cab	Single Cab
Wheelbase	151.6	139.8	139.8
Overall length (PRO-4X)	242.7 (243.6)	230.5 (231.3)	231
Overall width (PRO-4X)	79.5 (80.7)	79.5 (80.7)	79.5
Overall height: Gas/Diesel (Late availability)			
4x2: S, SV	78.0	77.8/77.8	77.3/77.2
4x2: SL, Platinum Reserve	78.9/78.8	—	—
4x4: S, SV	78.0	77.7	77.2/77.1
4x4: PRO-4X	78.4	78.1	—
4x4: SL, Platinum Reserve	78.9/78.8	—	—
Bed length	78.7	78.7	98.5
Bed width (between wheel wells)	63.8 (50.0)	63.8 (50.0)	63.8 (50.0)
Bed depth	20.8	20.8	20.8

Interior			
Head room: front/rear	41.0/40.4	40.9/38.7	41.0
Leg room: front/rear	41.8/38.5	41.8/24.8	41.8
Hip room: front/rear	60.8/60.3	60.8/59.4	60.8
Shoulder room: front/rear	63.3/63.6	63.3/64.6	63.3

TITAN XD Payload and Towing – Lbs.			
Maximum payload - Gas/Diesel (Late availability)			
Maximum payload (4x2) <sup>1</sup>	2,590/2,080	2,710/2,290	2,910/2,420
Maximum payload (4x4) <sup>1</sup>	2,520/2,000	2,560/2,120	2,850/2,300
Maximum towing - Gas/Diesel (Late availability)			
Maximum towing (4x2) <sup>2</sup>	11,280/12,310	11,380/12,510	11,600/12,640
Maximum towing (4x4) <sup>2</sup>	10,990/12,030	11,040/12,150	11,330/12,360

## NISSAN ROADSIDE ASSISTANCE

**Your peace of mind is on us. For 36 months or 36,000 miles, whichever comes first, your new Nissan is covered for the following:<sup>14</sup>**

- Flat-tire changes
- Trip Interruption benefits
- Vehicle lockouts
- Emergency fuel delivery
- Jump starts